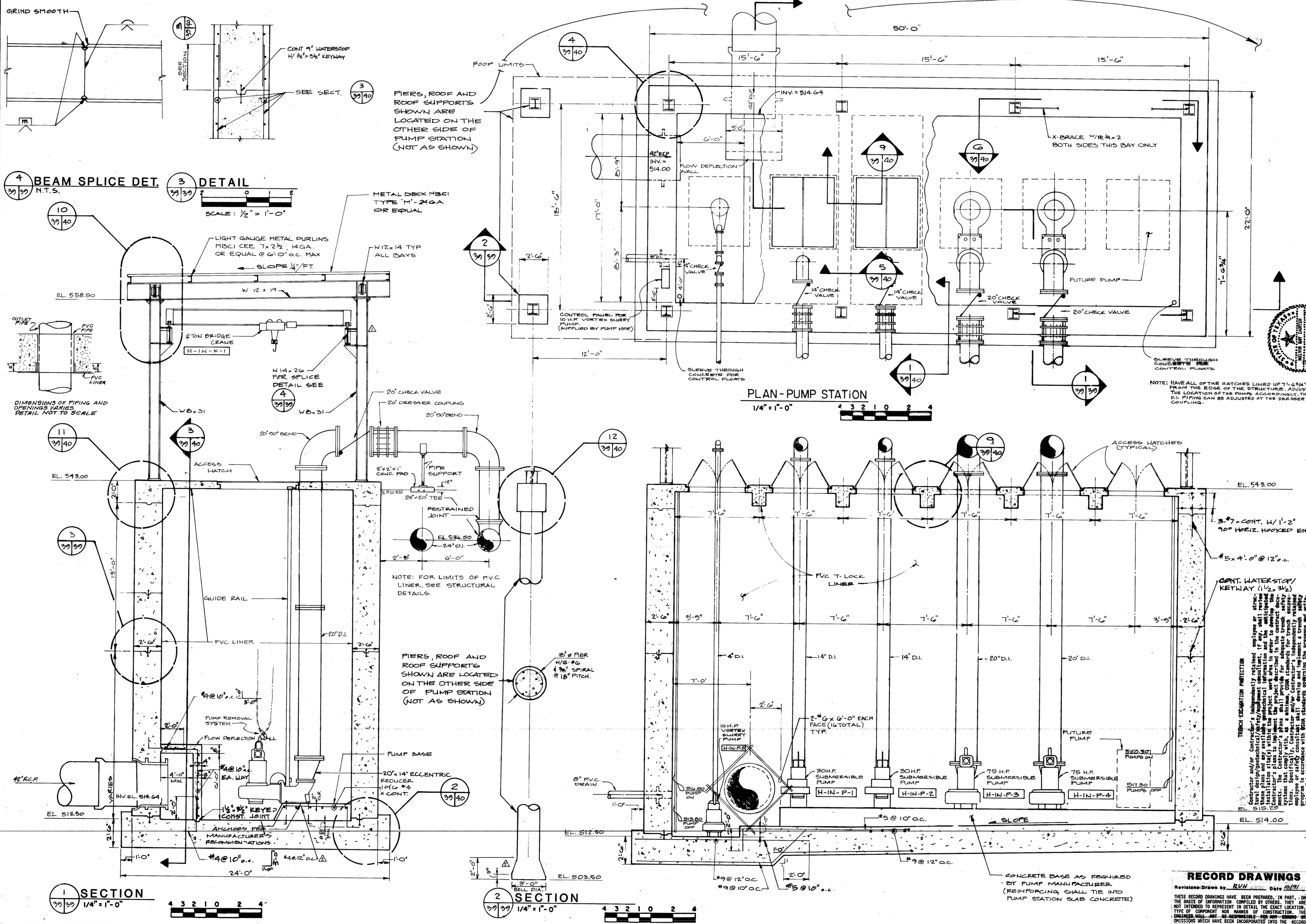




No.	Date	Revisions
5190		ADD APPENDIX No. 2
5190		ADD APPENDIX No. 1



PIERS, ROOF AND ROOF SUPPORTS SHOWN ARE LOCATED ON THE OTHER SIDE OF PUMP STATION (NOT AS SHOWN)

4 BEAM SPLICE DET. N.T.S.
3 DETAIL
SCALE: 1/2" = 1'-0"

PLAN-PUMP STATION
1/4" = 1'-0"

NOTE: HAVE ALL OF THE HATCHES LINED UP 7/16" FROM THE EDGE OF THE STRUCTURE. ADJUST THE LOCATION OF THE PUMPS ACCORDINGLY. THE P.I. PIPING CAN BE ADJUSTED AT THE DRESSER COUPLING.

PIERS, ROOF AND ROOF SUPPORTS SHOWN ARE LOCATED ON THE OTHER SIDE OF PUMP STATION (NOT AS SHOWN)

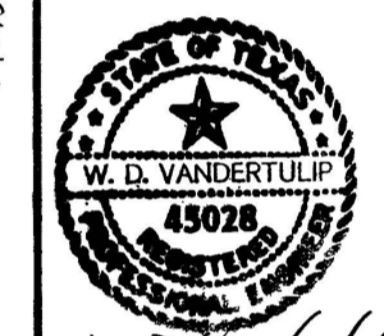
CONT. WATERSTOP/KEYWAY (1 1/2" x 3/4")

TRENCH EXAMINATION INSPECTOR
Contractor and/or Contractor's independently retained employee or staff shall review and certify (in writing) that the trench excavation and shoring systems are in accordance with the approved plans and specifications. The Contractor shall provide for adequate trench safety systems that comply with applicable codes and standards. Specifically, Contractor shall develop and implement a trench safety plan. The Contractor shall develop and implement a trench safety plan. The Contractor shall develop and implement a trench safety plan.

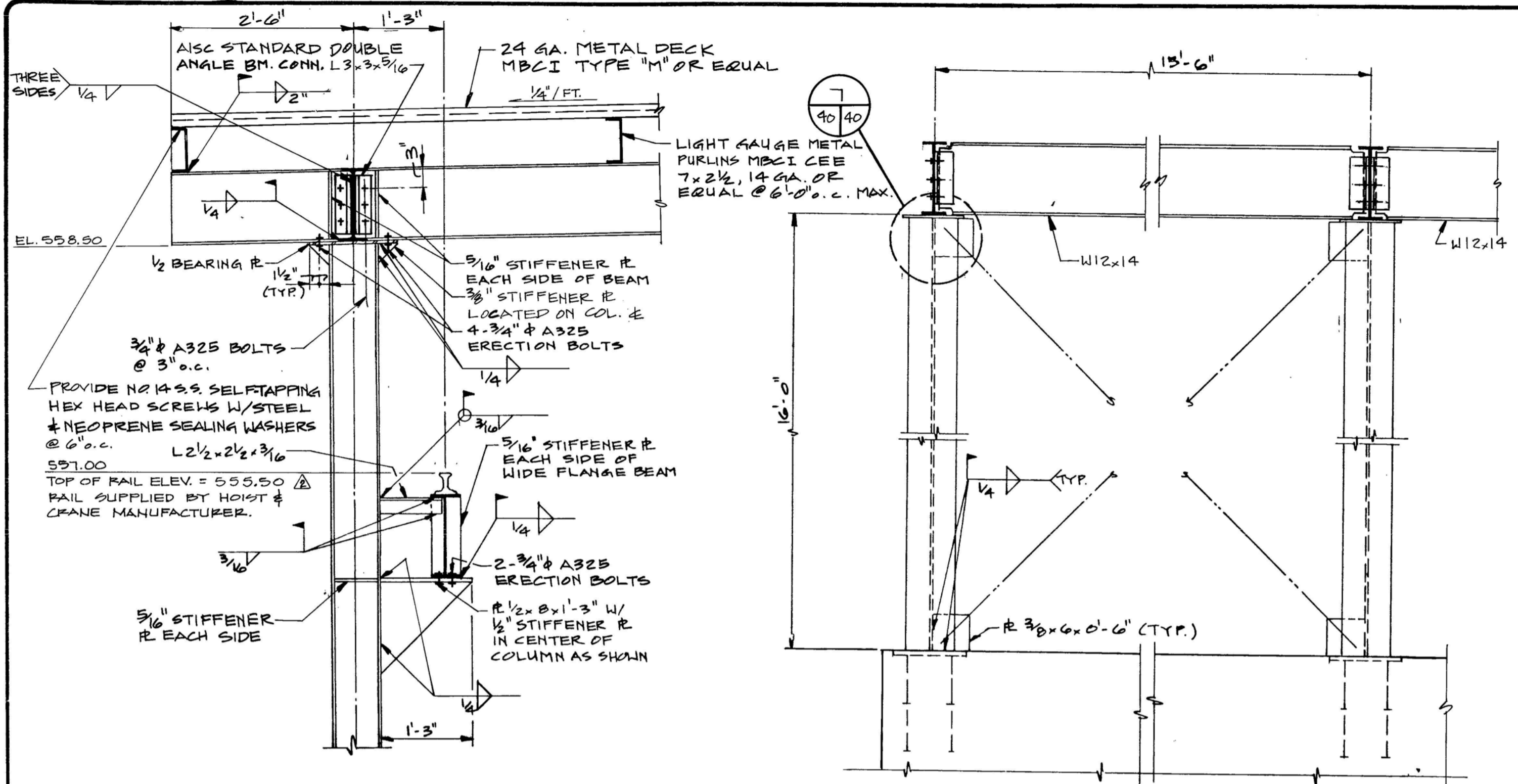
RECORD DRAWINGS
Revisions: Drawn by: RWK Date: 10/91

THESE RECORD DRAWINGS HAVE BEEN PREPARED, IN PART, ON THE BASIS OF INFORMATION COMPLIED BY OTHERS. THEY ARE NOT INTENDED TO REPRESENT IN DETAIL THE EXACT LOCATION, TYPE OF COMPONENT NOR MANNER OF CONSTRUCTION. THE ENGINEER SHALL NOT BE RESPONSIBLE FOR ANY OMISSIONS OR ERRORS WHICH HAVE BEEN INCORPORATED INTO THE RECORD DRAWINGS.

LC 87-6501

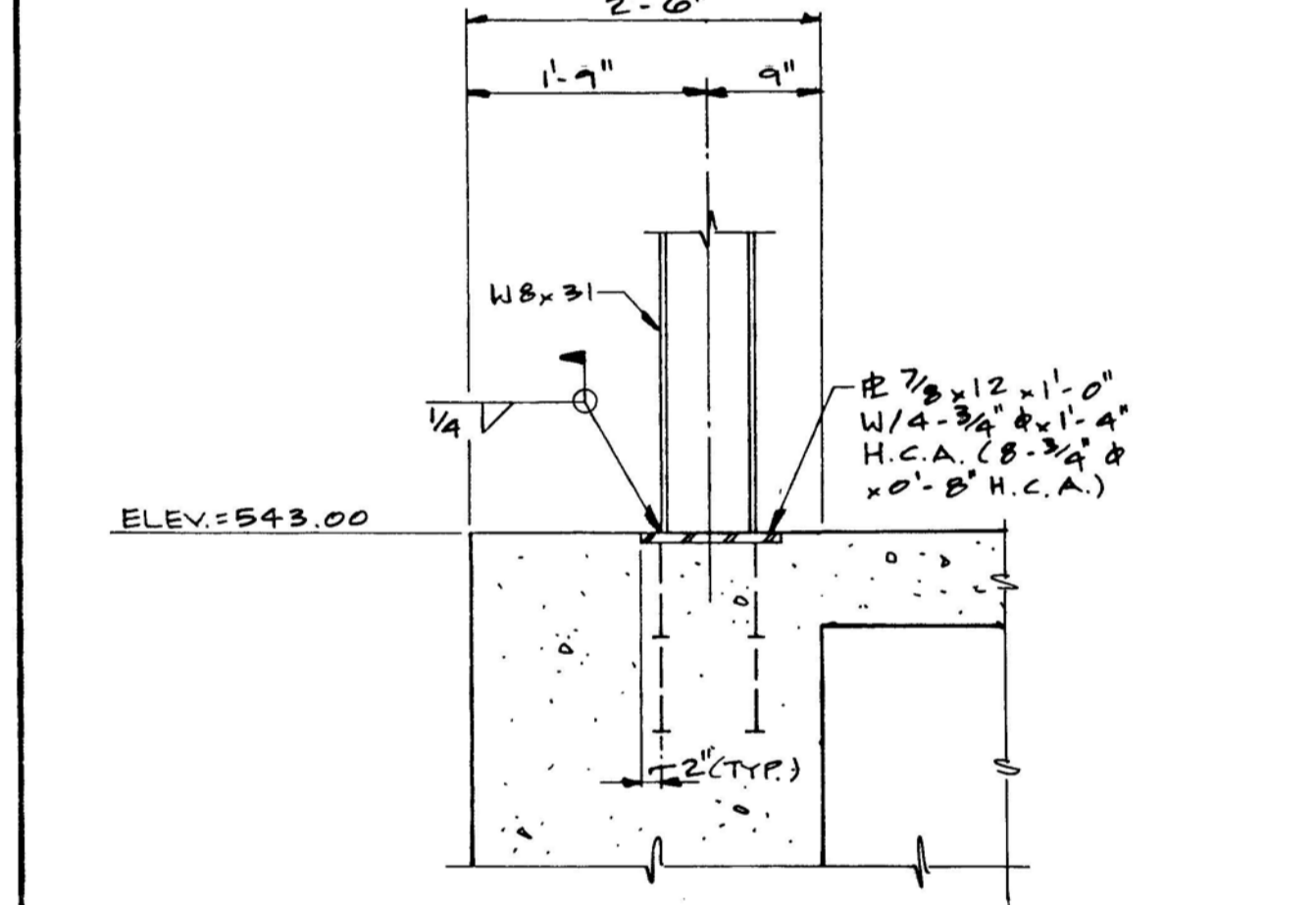


W.D. Vandertulip
 1/2/89

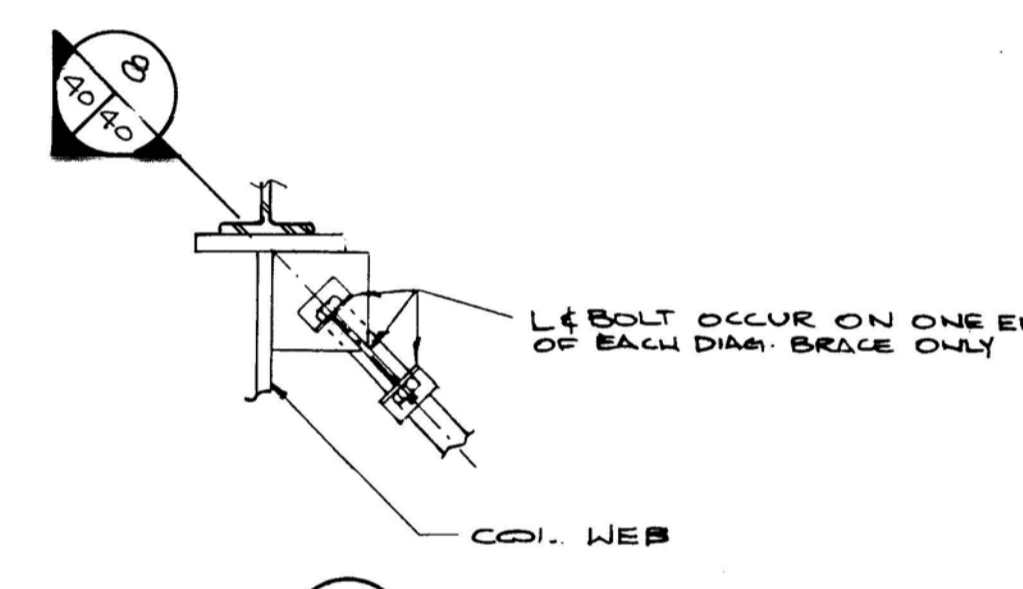


10 DETAIL
 SCALE: 3/4\"/>

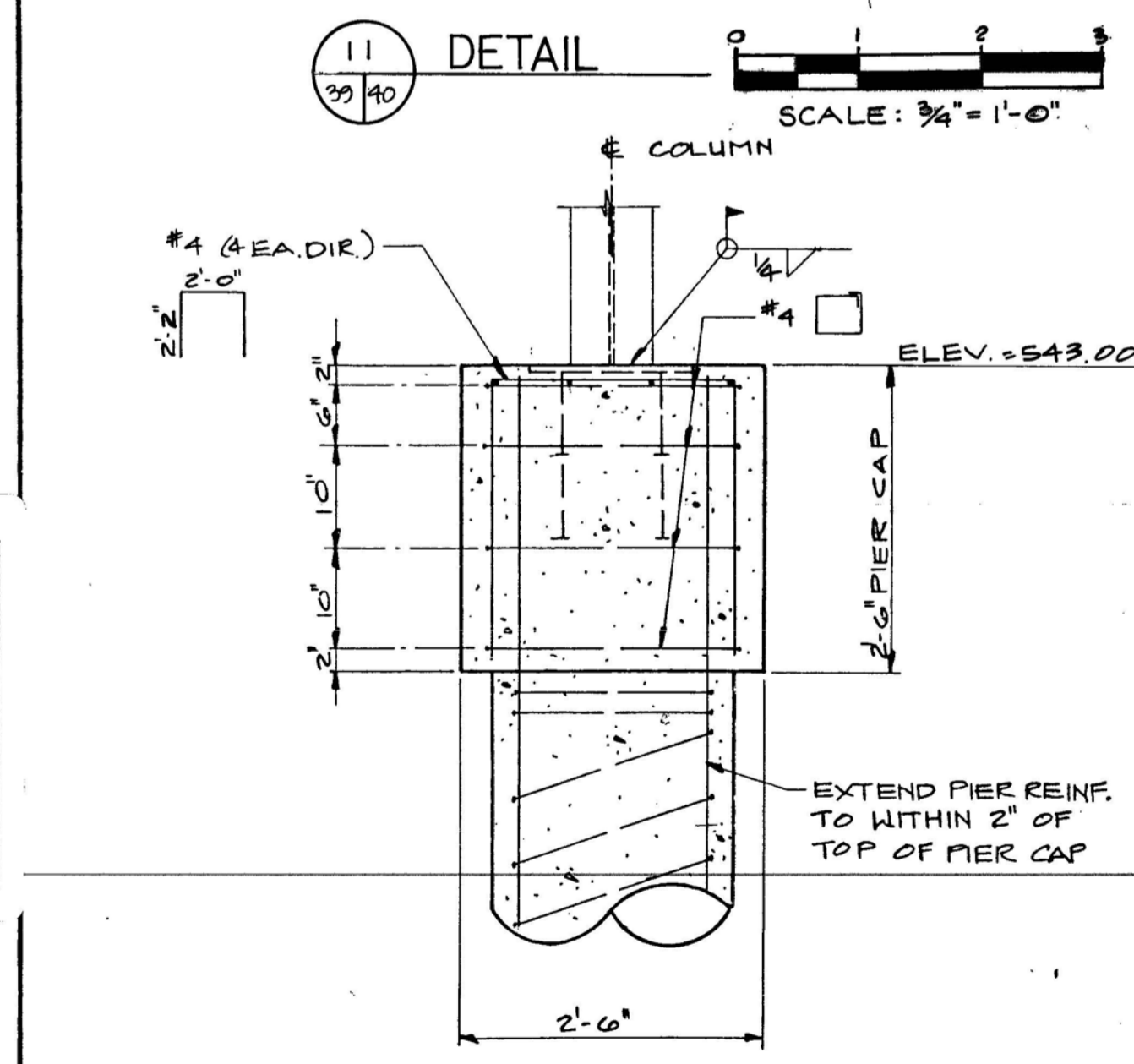
6 SECTION
 N.T.S.



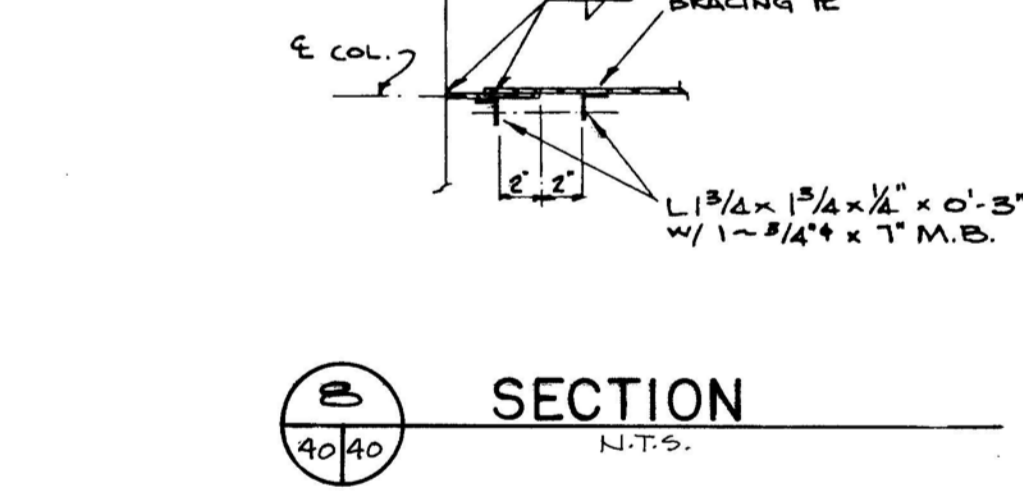
11 DETAIL
 SCALE: 3/4\"/>



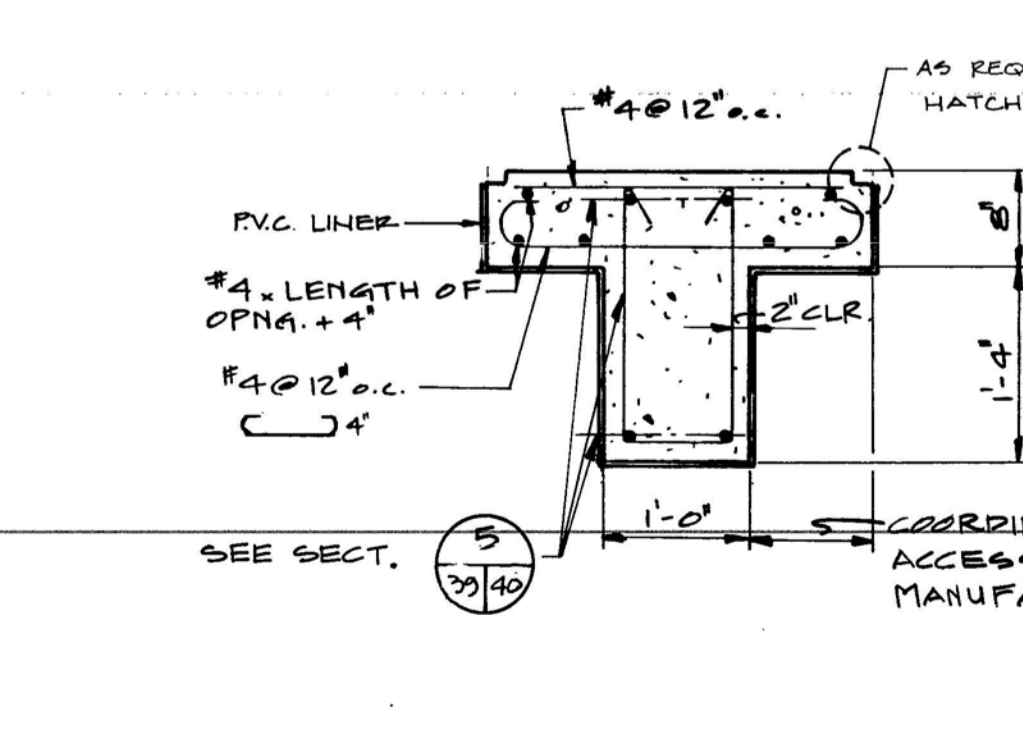
7 DETAIL
 N.T.S.



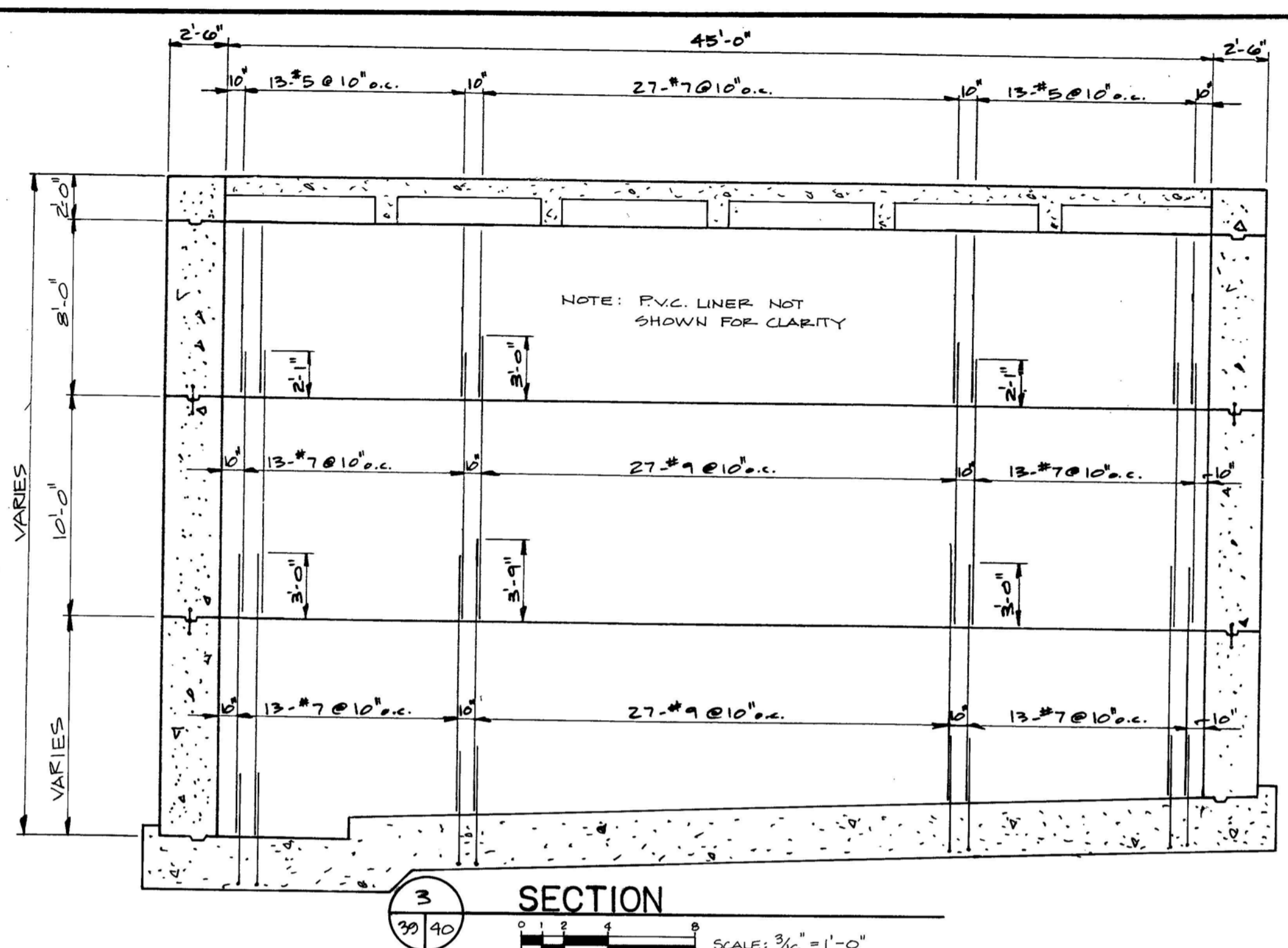
12 DETAIL
 SCALE: 3/4\"/>



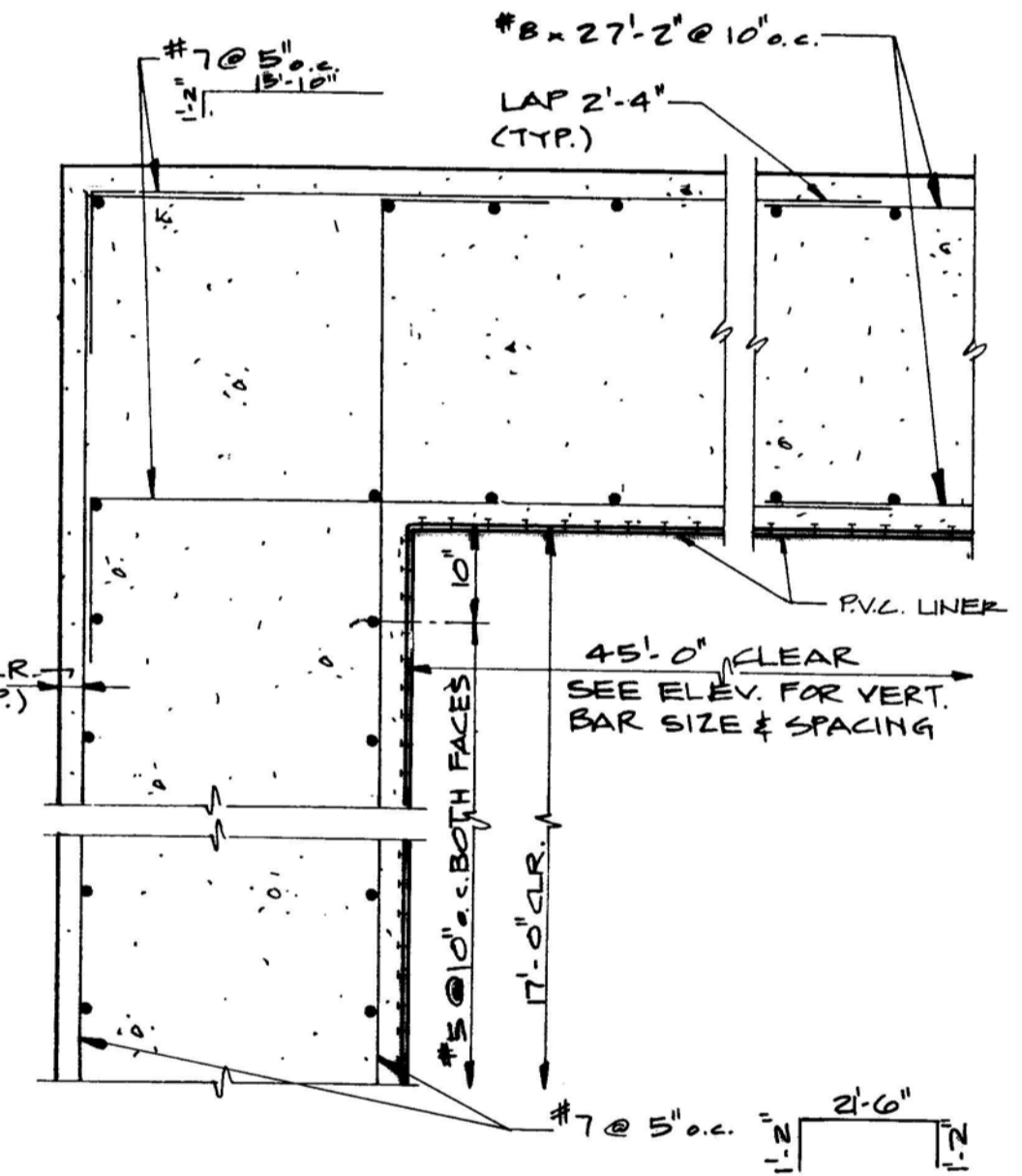
8 SECTION
 N.T.S.



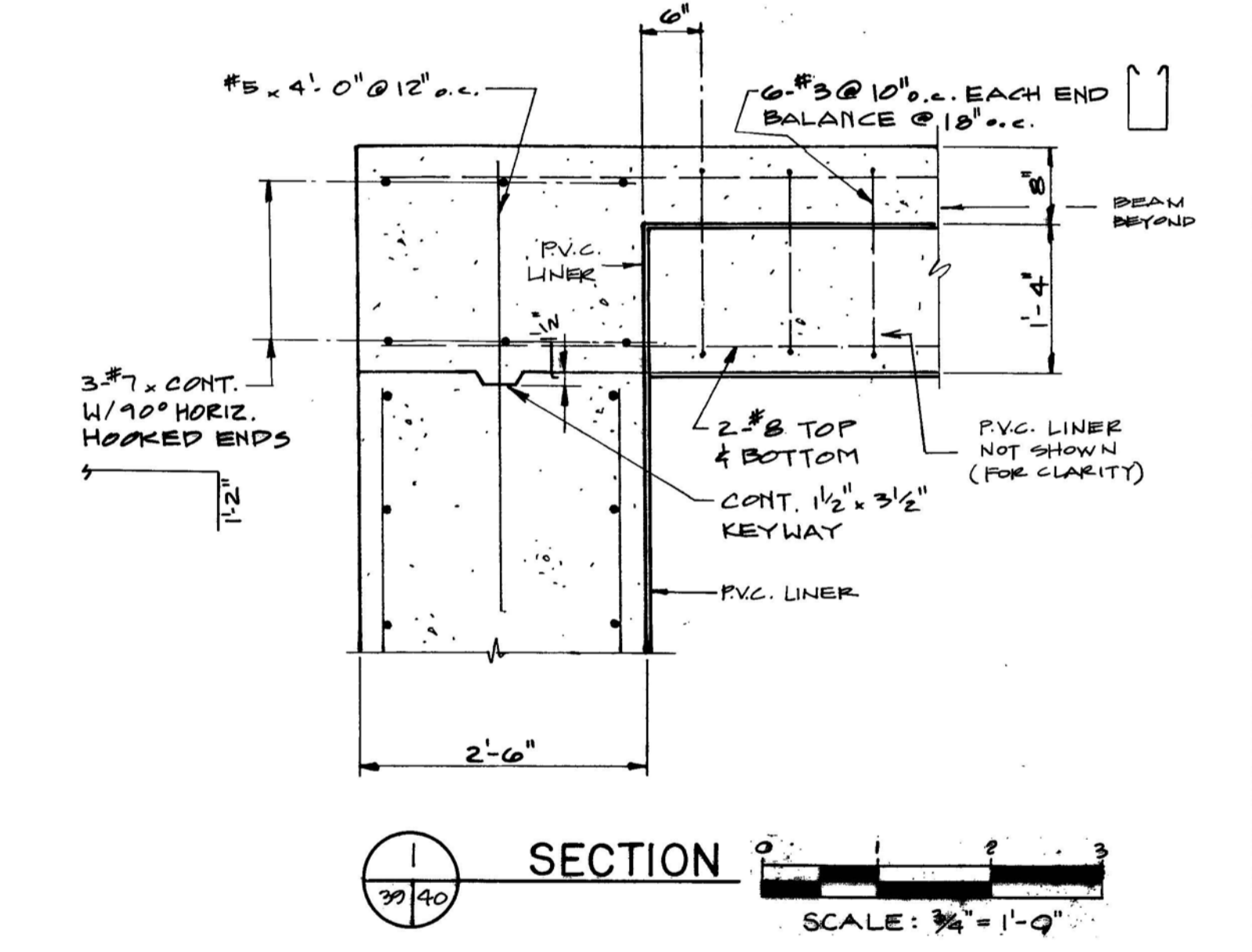
9 SECTION
 SCALE: 3/4\"/>



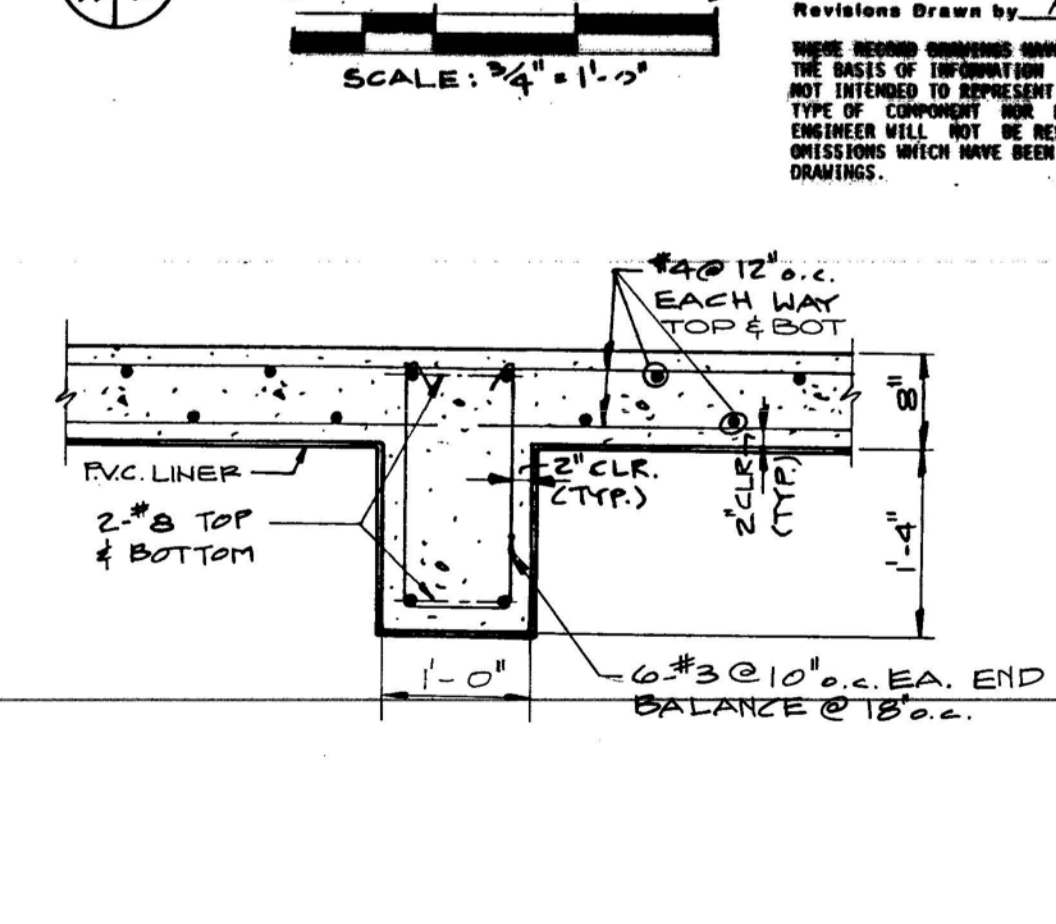
3 SECTION
 SCALE: 3/16\"/>



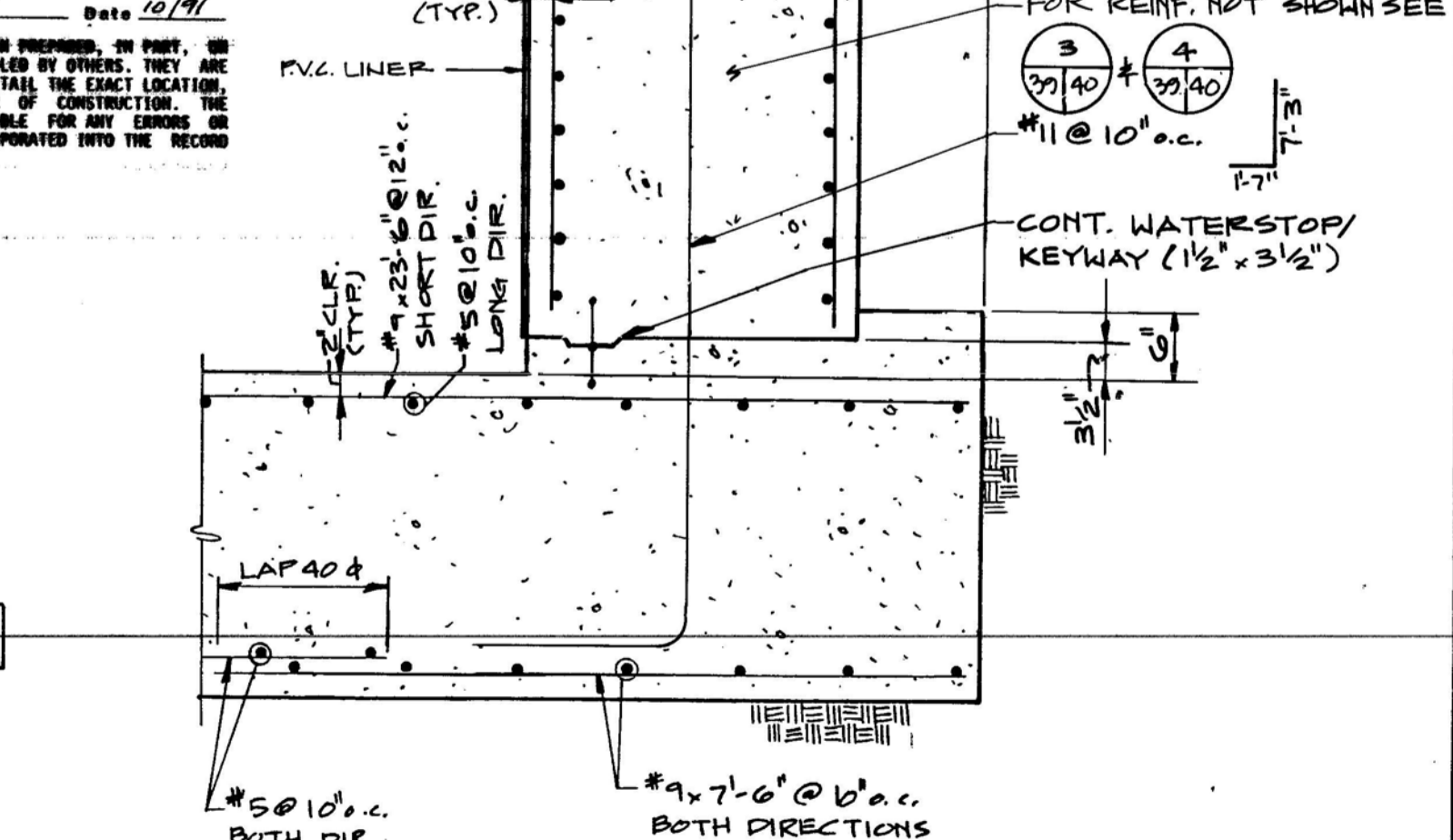
4 DETAIL
 SCALE: 3/4\"/>



1 SECTION
 SCALE: 3/4\"/>



5 SECTION
 SCALE: 3/4\"/>



2 DETAIL
 SCALE: 3/4\"/>

RECORD DRAWINGS
 Revisions Drawn by: RVH Date: 10/91
 THESE RECORD DRAWINGS WERE USED PREPARED, IN PART, ON THE BASIS OF INFORMATION COMPILED BY OTHERS. THEY ARE NOT INTENDED TO REPRESENT IN DETAIL THE EXACT LOCATION, TYPE OF COMPONENT AND PHASE OF CONSTRUCTION. THE ENGINEER WILL NOT BE RESPONSIBLE FOR ANY ERRORS OR OMISSIONS WHICH HAVE BEEN INCORPORATED INTO THE RECORD DRAWINGS.

9110672
 LC 87-6501